

EUROTRUSS

STAGE DECKS



Black Hexa anti-slip plywood

Pro Deck

The Eurotruss Pro Deck is with its weight of only 29 kg (3,05 lbs/sqft.) one of the lightest decks in the industry.

Two longitudinal beams and a special profile design ensures full stability. High quality is confirmed by TÜV certificate which ensures maximum safety. The Eurotruss Pro Deck is a base for stages, fashion show catwalks, tribunes and conference podiums.

All accessories (self-levelling inserts, barrier clamps, stairs clamps or assembly inserts which can be used to hang curtains or advertising banners) are fastened to the section: The platform top is made of waterproof plywood with an anti-slip layer which is standard available in black.

The platforms can be supported by non-adjustable or telescopic legs which make it possible to smoothly and precisely adjust the platform height within 5 different height ranges. Thanks to their structure, the platforms can be installed both, outdoors in different terrains and indoors (inside the buildings, show halls, theatres etc.).

Facts

- Weighs only 29 kg.
- 750 kg/m²
- Equipped with Black Hexa anti-slip Plywood
- Applicable on Scaffolding
- TÜV approved

Specifications Pro Deck

| | Metric | Imperial |
|-----------------|---------------------------|----------------------|
| Dimensions: | 200 x 100 cm. (standard) | 8x4 ft. |
| Profile Height: | 90 mm. | 3,54 in. |
| Plywood: | 12 mm. (Anti-slip) | 0,47 in. (Anti-slip) |
| Weight: | 29 kg. (200 x 100 cm.) | 8x4ft (97 lbs) |
| Material: | EN AW-6082 T6 and Plywood | |

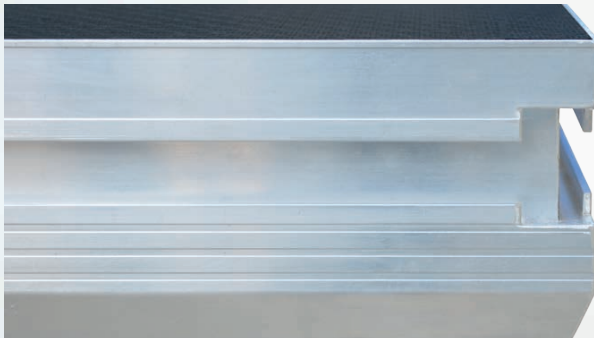
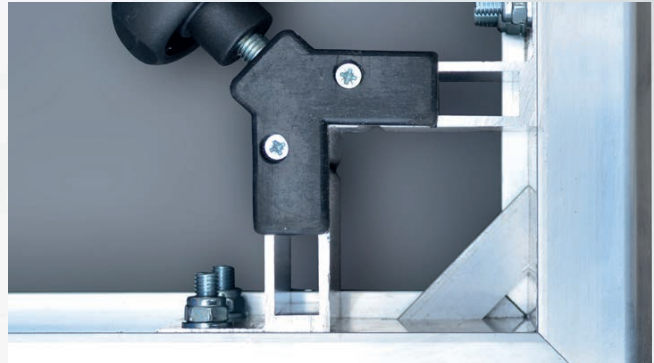


Full stability design

Two longitudinal beams and a special profile design ensures full stability. High quality is confirmed by TÜV certificate which ensures maximum safety.

Solid leg connection

The aluminium corner makes a solid leg connection possible, Eurotruss Pro Decks can be supported by non-adjustable or telescopic legs which make it possible to smoothly and precisely adjust the platform height.

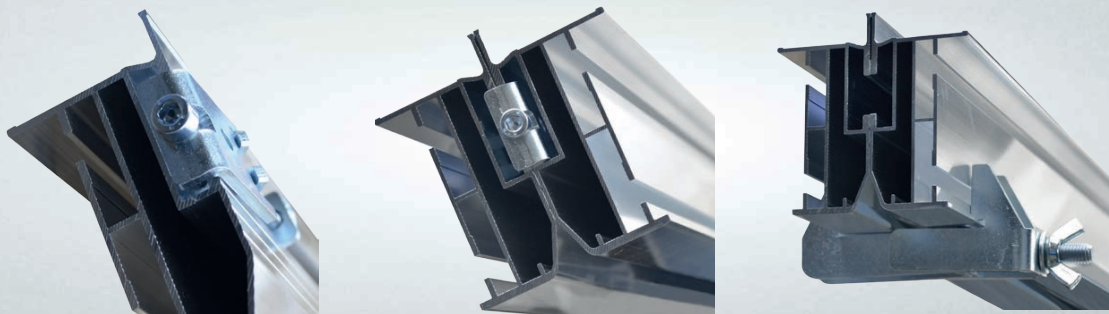


Special profile

All accessories like self-leveling inserts, barrier clamps, stairs, clamps or assembly inserts which can be used to hang curtains or advertising banners are fastened to the profile section.

Deck to deck clamping

All accessories like self-leveling inserts, barrier clamps, stairs, clamps or assembly inserts which can be used to hang curtains or advertising banners are fastened to the profile section.





PRO DECK 200 x 100 cm.

productcode: ED-T-SCA03-2x1



PRO DECK 100 x 100 cm.

productcode: ED-T-SCA03-1x1



PRO DECK 200 x 050 cm.

productcode: ED-T-SCA03-2x05



PRO DECK 100 x 050 cm.

productcode: ED-T-SCA03-1x05

Imperial Sizing

The Eurotruss Pro Deck is also available in Imperial sizes, this deck is longer and wider than the original Pro Deck. A third longitudinal beam is added to ensure full stability. The Imperial sized Pro Decks make use of 6 legs instead of 4 per deck.

Pro Deck Imperial Size

| Productcode | Size |
|-----------------------|------------|
| <i>ED-T-SCA03-8x4</i> | 8ft x 4ft. |
| <i>ED-T-SCA03-4x4</i> | 4ft x 4ft. |
| <i>ED-T-SCA03-8x2</i> | 8ft x 2ft. |
| <i>ED-T-SCA03-4x2</i> | 4ft x 2ft. |



Scaffolding integration

After mounting the SCD-28 beam adapter, the Eurotruss Stage Decks are fully compatible with a Scaffolding Stage System. For holding the platforms on the side of the stage stable use the SCD 29 Platform Limiter.

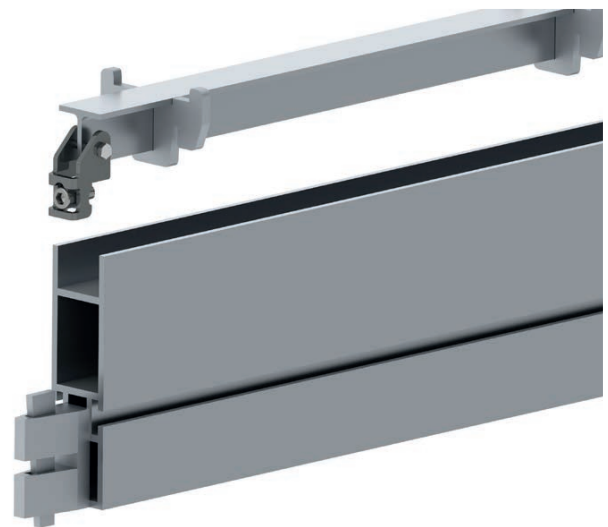
The standard beam adapter is available in 200cm and 100cm for matching the 200x100cm and 100x100cm decks. Alternative sizes are on request.

Layher Beam Adapter

| Productcode | For layher event beam size |
|----------------|----------------------------|
| ED-ACC-SCD28 | 200 cm. |
| ED-ACC-SCD128 | 207 cm. |
| ED-ACC-SCD228 | 8 ft. |
| ED-ACC-SCD28A | 100 cm. |
| ED-ACC-SCD128A | 103,5 cm. |
| ED-ACC-SCD228B | 4 ft. |

Pro Deck Layher

| Productcode | Size |
|---------------------|---------------------------------------|
| ED-T-SCA03-207X104 | 207 x 104 cm. |
| ED-T-SCA03-207X104R | 207 x 104 cm. (with recessed corners) |
| ED-T-SCA03-207X030 | 207 x 30 cm. |
| ED-T-SCA03-207X074 | f |



Platform Limiter

productcode: ED-ACC-SCD29



Basic Deck

The Eurotruss Basic Deck is with its weight of only 29 kg (3,05 lbs/sqft.) one of the lightest decks in the industry.

Just as the Pro Deck two longitudinal beams and a special profile design ensures full stability. High quality is confirmed by TÜV certificate which ensures maximum safety.

The Eurotruss Basic Deck is a base for fashion shows, catwalks, tribunes and conference podiums.

Black plywood is standard on the Basis Deck, other colors as shown above are available on request.

All accessories (self-levelling inserts, barrier clamps, stairs clamps or assembly inserts which can be used to hang curtains or advertising banners) are fastened to the section: The platform top is made of waterproof plywood with an anti-slip layer which is standard available in black.

The platforms can be supported by non-adjustable or telescopic legs which make it possible to smoothly and precisely adjust the platform height within 5 different height ranges. Thanks to their structure, the platforms can be installed both, outdoors in different terrains and indoors (inside the buildings, show halls, theatres etc.).

Facts

- Weighs only 29 kg.
- 750 kg/m²
- Equipped with basis in black/brown/grey or natural plywood
- TÜV approved

Specifications Basic Deck

| | Metric | Imperial |
|-----------------|---------------------------|-----------------|
| Dimensions: | 200 x 100 cm. (standard) | 8x4 ft. |
| Profile Height: | 90 mm. | 3,54 in. |
| Plywood: | 12 mm. | 0,47 in. |
| Weight: | 29 kg. (200 x 100 cm.) | 97 lbs. (8x4ft) |
| Material: | EN AW-6082 T6 and Plywood | |



Basic Deck Metric

| Productcode | Size |
|-------------------------|---------------|
| <i>ED-BA-SCA03-2x1</i> | 200 x 100 cm. |
| <i>ED-BA-SCA03-1x1</i> | 100 x 100 cm. |
| <i>ED-BA-SCA03-2x05</i> | 200 x 050 cm. |
| <i>ED-BA-SCA03-1x05</i> | 100 x 050 cm. |

Basic Deck Imperial

| Productcode | Size |
|------------------------|-----------|
| <i>ED-BA-SCA03-8x4</i> | 8 x 4 ft. |
| <i>ED-BA-SCA03-4x4</i> | 4 x 4 ft. |
| <i>ED-BA-SCA03-8x2</i> | 8 x 2 ft. |
| <i>ED-BA-SCA03-4x2</i> | 4 x 2 ft. |

Special Decks

For special events of special decor settings we offer a range of special decks. On request we can deliver the Eurotruss basic deck with a Polycarbonate topping in Black, White or Transparent.

Special Decks Metric

| Productcode | Size | Topping |
|-----------------------|---------------|---------------------|
| <i>ED-P-SCB04-2x1</i> | 200 x 100 cm. | Polycarbonate Black |
| <i>ED-P-SCB04-1x1</i> | 100 x 100 cm. | Polycarbonate Black |
| <i>ED-P-SCW04-2x1</i> | 200 x 100 cm. | Polycarbonate White |
| <i>ED-P-SCW04-1x1</i> | 100 x 100 cm. | Polycarbonate White |
| <i>ED-T-SCA04-2x1</i> | 200 x 100 cm. | Transparent |
| <i>ED-T-SCA04-1x1</i> | 100 x 100 cm. | Transparent |

Special Decks Imperial

| Productcode | Size | Topping |
|-----------------------|-----------|---------------------|
| <i>ED-P-SCB04-8x4</i> | 8 x 4 ft. | Polycarbonate Black |
| <i>ED-P-SCB04-4x4</i> | 4 x 4 ft. | Polycarbonate Black |
| <i>ED-P-SCW04-8x4</i> | 8 x 4 ft. | Polycarbonate White |
| <i>ED-P-SCW04-4x4</i> | 4 x 4 ft. | Polycarbonate White |
| <i>ED-T-SCA04-8x4</i> | 8 x 4 ft. | Transparent |
| <i>ED-T-SCA04-4x4</i> | 4 x 4 ft. | Transparent |



Special Decks

For special events like catwalks or special decor settings we offer a range of special decks with polycarbonate toppings.

On request we can deliver the Eurotruss basic deck with a Polycarbonate topping in Black, White or Transparent. The special decks are based on the very stable and strong Eurotruss Pro Deck.

Facts

- Weighs only ~29 kg.
- 500 kg/m²
- Equipped with
- TÜV approved

Specifications Basic Deck

| | Metric | Imperial |
|-----------------|---------------------------|-----------------|
| Dimensions: | 200 x 100 cm. (standard) | 8x4 ft |
| Profile Height: | 90 mm. | 3,54 in. |
| Topping: | Polycarbonate. | Polycarbonate |
| Weight: | ~29 kg. (200 x 100 cm.) | ~8x4ft (97 lbs) |
| Material: | EN AW-6082 T6 and Plywood | |



Special Decks Metric

| Productcode | Size | Topping |
|-----------------------|---------------|---------------------|
| <i>ED-P-SCB04-2x1</i> | 200 x 100 cm. | Polycarbonate Black |
| <i>ED-P-SCB04-1x1</i> | 100 x 100 cm. | Polycarbonate Black |
| <i>ED-P-SCW04-2x1</i> | 200 x 100 cm. | Polycarbonate White |
| <i>ED-P-SCW04-1x1</i> | 100 x 100 cm. | Polycarbonate White |
| <i>ED-T-SCA04-2x1</i> | 200 x 100 cm. | Transparent |
| <i>ED-T-SCA04-1x1</i> | 100 x 100 cm. | Transparent |

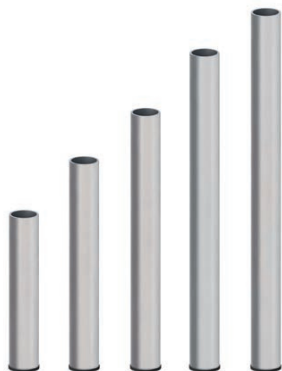
Special Decks Imperial

| Productcode | Size | Topping |
|-----------------------|-----------|---------------------|
| <i>ED-P-SCB04-8x4</i> | 8 x 4 ft. | Polycarbonate Black |
| <i>ED-P-SCB04-4x4</i> | 4 x 4 ft. | Polycarbonate Black |
| <i>ED-P-SCW04-8x4</i> | 8 x 4 ft. | Polycarbonate White |
| <i>ED-P-SCW04-4x4</i> | 4 x 4 ft. | Polycarbonate White |
| <i>ED-T-SCA04-8x4</i> | 8 x 4 ft. | Transparent |
| <i>ED-T-SCA04-4x4</i> | 4 x 4 ft. | Transparent |

Legs & Legs accessories

Standard Round Legs

These fixed legs come in various heights.
The ordered leg height determines the height of the platform.

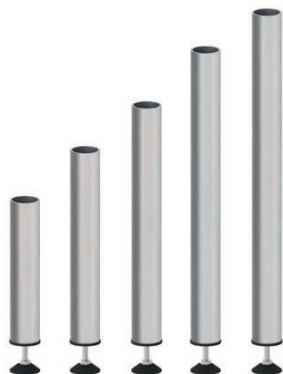


Round Legs (Height = deck height)

| Productcode | Height Metric | Height Imperial |
|-------------|---------------|-----------------|
| ED-SLR-02 | 20 cm. | 07.9 in. |
| ED-SLR-03 | 30 cm. | 11.8 in. |
| ED-SLR-04 | 40 cm. | 15.7 in. |
| ED-SLR-05 | 50 cm. | 19.7 in. |
| ED-SLR-06 | 60 cm. | 23.6 in. |
| ED-SLR-07 | 70 cm. | 27.5 in. |
| ED-SLR-08 | 80 cm. | 31.5 in. |
| ED-SLR-09 | 90 cm. | 35.4 in. |
| ED-SLR-10 | 100 cm. | 39.4 in. |
| ED-SLR-11 | 110 cm. | 43.3 in. |
| ED-SLR-12 | 120 cm. | 47.2 in. |

Round Legs + Adjustable foot

These elements allow construction at different heights.
Adjustable legs enable seamless height adjustment in small ranges.



Round Legs + Adjustable foot (Height = deck height)

| Productcode | Height Metric | Height Imperial |
|---------------|---------------|-----------------|
| ED-SLR-ADJ-02 | 20 cm. | 07.9 in. |
| ED-SLR-ADJ-03 | 30 cm. | 11.8 in. |
| ED-SLR-ADJ-04 | 40 cm. | 15.7 in. |
| ED-SLR-ADJ-05 | 50 cm. | 19.7 in. |
| ED-SLR-ADJ-06 | 60 cm. | 23.6 in. |
| ED-SLR-ADJ-07 | 70 cm. | 27.5 in. |
| ED-SLR-ADJ-08 | 80 cm. | 31.5 in. |
| ED-SLR-ADJ-09 | 90 cm. | 35.4 in. |
| ED-SLR-ADJ-10 | 100 cm. | 39.4 in. |
| ED-SLR-ADJ-11 | 110 cm. | 43.3 in. |
| ED-SLR-ADJ-12 | 120 cm. | 47.2 in. |

Telescopic Legs

Telescopic legs ensures a fluent regulation of the platform height in the defined range.



Telescopic Legs (Height = deck height)

| Productcode | Height Metric | Height Imperial |
|----------------|---------------|-----------------|
| ED-TLR-45-60 | 45 ~ 60 cm. | 17.7 ~ 23.6 in. |
| ED-TLR-60-90 | 60 ~ 90 cm. | 23.6 ~ 35.4 in. |
| ED-TLR-50-100 | 50 ~ 100 cm. | 19.7 ~ 39.4 in. |
| ED-TLR-90-140 | 90 ~ 140 cm. | 35.4 ~ 55.1 in. |
| ED-TLR-100-160 | 100 ~ 160 cm. | 39.4 ~ 63.0 in. |
| ED-TLR-120-190 | 120 ~ 190 cm. | 47.2 ~ 70.8 in. |
| ED-TLR-150-220 | 150 ~ 220 cm. | 59.0 ~ 86.6 in. |

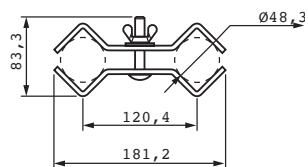
Round Legs with Castor

Round legs with Castors are special designed to use the Eurotruss Stage Deck for example as a drum riser or movable platform.



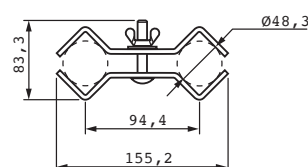
Round Leg with Castor (Height = deck height)

| Productcode | Height Metric | Height Imperial |
|-------------|----------------|------------------|
| ED-SLC-03 | 30 cm. | 11.8 in. |
| ED-SLC-04 | 40 cm. | 15.7 in. |
| ED-SLC-03B | 30 cm. + brake | 11.8 in. + brake |
| ED-SLC-04B | 40 cm. + brake | 15.7 in. + brake |



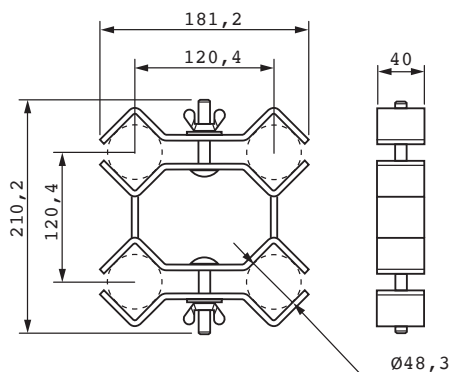
LEG TO LEG CLAMP - SINGLE

productcode: ED-ACC-LTLR-S



LEG TO LEG CLAMP - OVERLAP

productcode: ED-ACC-LTLR-S1



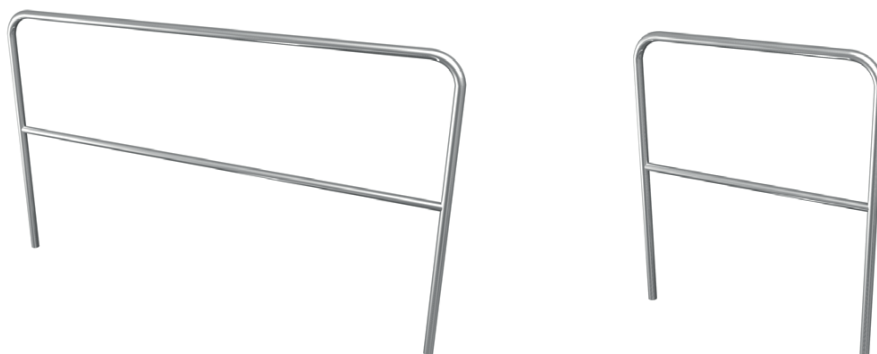
LEG TO LEG CLAMP - DOUBLE

productcode: ED-ACC-LTLR-D

Safety Railings

Standard Handrailing

Aluminum handrails can be used with Deck 200x100cm, they are very durable and at the same time very light. The additional bar is a protection against sliding for example flight cases.



Standard Handrailing

| Productcode | Length | Height |
|---------------|---------|---------|
| ED-SHR-SBA-5 | 200 cm. | 120 cm. |
| ED-SHR-SBA-6 | 100 cm. | 120 cm. |
| ED-SHR-SBA-15 | 8 ft. | 4 ft. |
| ED-SHR-SBA-16 | 4 ft. | 4 ft. |

**All handrailings are delivered with connectors for deck connection*

Heavy Duty Handrailing

The Heavy Dut handrailings can be used with Deck 200x100cm, they are very durable and very safe. The vertical bars make the Heavy Duty handrailing childsafe.



Heavy Duty Handrailing

| Productcode | Length | Height |
|----------------|---------|---------|
| ED-SHR-SBA-5R | 200 cm. | 120 cm. |
| ED-SHR-SBA-6R | 100 cm. | 120 cm. |
| ED-SHR-SBA-15R | 8 ft. | 4 ft. |
| ED-SHR-SBA-16R | 4 ft. | 4 ft. |

**All handrailings are delivered with connectors for deck connection*

Standard Handrailing with Plexiglas

Aluminum handrails can be used with Deck 200x100cm, they are very durable and at the same time very light. The additional bar is a protection against sliding for example flight cases.



Standard Handrailing with Plexiglas

| Productcode | Length | Height |
|---------------|---------|---------|
| ED-SHR-SBP-5 | 200 cm. | 120 cm. |
| ED-SHR-SBP-6 | 100 cm. | 120 cm. |
| ED-SHR-SBP-15 | 8 ft. | 4 ft. |
| ED-SHR-SBP-16 | 4 ft. | 4 ft. |

**All handrailings are delivered with connectors for deck connection*

Handrailing For Stairways

These handrailings carry a special shape to fit on the side of a stairway, they are very durable and safe. Combined with stairs you create a safe stairway to enter the platform.



Handrailing For Stairways

| Productcode | Length | Height | For use with |
|---------------|---------|---------|------------------------|
| ED-SHR-SBA-S | 228 cm. | 75 cm. | Stairs Adjustable |
| ED-SHR-SBA-S1 | 141 cm. | 165 cm. | Stairs Fixed 3 steps |
| ED-SHR-SBA-S2 | 228 cm. | 204 cm. | Stairs Fixed 4-5 steps |

Stairs

Stairs Fixed

Modular stairs with all steps of the same height; available in four different heights. The stairs have adjustable feet which make it possible to place and level the stairs on uneven surfaces. The material of the construction is welded from steel profiles, the steps are made of 15mm plywood and have adjustable feet with an adjustment-range of 20mm.



* Stairs are standard delivered without the safety railing



STAIRS 1st PART HEIGHT 20+40 CM.

productcode: EDS-SM-04



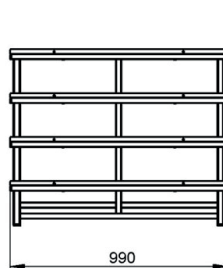
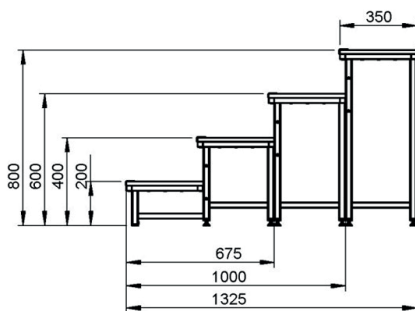
STAIRS 3rd PART HEIGHT 60 CM.

productcode: EDS-SM-06



STAIRS 4th PART HEIGHT 80 CM.

productcode: EDS-SM-08



HAND RAILING ASSEMBLY CLAMP

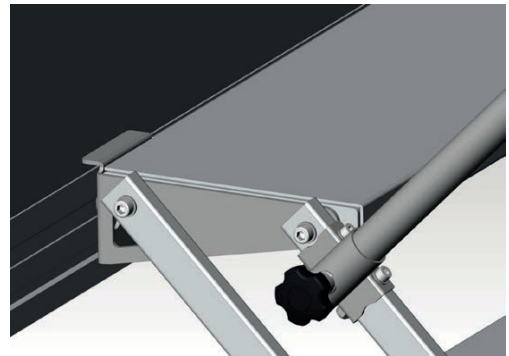
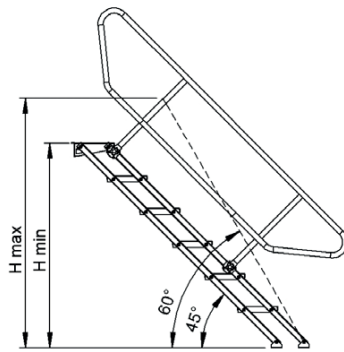
productcode: ED-ACC-SCD11

Stairs Adjustable

Adjustable stairs ensure quick and smooth assembly. They are made of heavy-duty steel sections and the stairssteps are filled with anti-slip plywood. The staircase is self angled because of the movable steps mounted in the frame.



* Stairs are standard delivered without the safety railing



Attachment to the deck

Stairs Adjustable Metric

| Productcode | Height | Length |
|--------------|---------------|-----------|
| ED-AS-SPS-04 | 40 ~ 60 cm. | 1.715 mm. |
| ED-AS-SPS-06 | 60 ~ 100 cm. | 2.025 mm. |
| ED-AS-SPS-08 | 80 ~ 140 cm. | 2.335 mm. |
| ED-AS-SPS-10 | 100 ~ 180 cm. | 2.645 mm. |

Stairs Adjustable Imperial

| Productcode | Height | Length |
|--------------|----------------|-----------|
| ED-AS-SPS-04 | 16 ~ 24 inches | 67.5 in. |
| ED-AS-SPS-06 | 24 ~ 40 inches | 79.7 in. |
| ED-AS-SPS-08 | 32 ~ 48 inches | 91.9 in. |
| ED-AS-SPS-10 | 40 ~ 72 inches | 104.1 in. |

Accessories

Deck to Deck clamp



The Deck to Deck clamp is used to connect the deck profile to each other. The deck to deck clamps ensure a safe and stable stage construction.

Deck to Deck clamp

| Productcode | Material |
|--------------|------------------|
| ED-ACC-SCD01 | Galvanized steel |

Deck to Deck clamping clamp



The Deck to Deck clamping clamp can be used to connect the deck profiles to each other in very low stage constructions. These clamps are inserted into the profile and pull them together. Fasten with an Allen Key.

Deck to Deck clamping clamp

| Productcode | Material |
|--------------|------------------|
| ED-ACC-SCD24 | Galvanized steel |

Self leveling insert



To level the Decks on an even line you can use the self leveling insert which levels the decks on one line. Three self leveling inserts per deck are used for the best result.

Self leveling insert

| Productcode | Material |
|--------------|----------|
| ED-ACC-SCD03 | Hard PVC |

Assembly insert



When you want to attach decor or other objects to the stage decks you can use the assembly insert, slide this insert in the profile and connect your object or decor to the stage deck with a M8 bolt.

Assembly insert

| Productcode | Material |
|--------------|------------------|
| ED-ACC-SCD03 | Galvanized steel |

Hand railing link



The hand railing link connects the hand railing / barriers together to create a solid railing.

Hand railing link

| Productcode | Material |
|--------------|------------------------|
| ED-ACC-SCD18 | Galvanized steel & PVC |

Trolleys

Raw Steel Trolleys to be used for transport purpose of Eurotruss Decks and / or Handrailings. Trolleys can be used for every type and size.

Trolley for deck



Trolley for deck

| Productcode | Dimensions |
|-------------------|-------------------------------------|
| <i>ED-TROL-ED</i> | 230x102x96 cm. / 90,5x40,2x37,8 in. |

Trolley for hand-railing



Trolley for hand-railing

| Productcode | Dimensions |
|-------------------|--------------------------------------|
| <i>ED-TROL-HR</i> | 230x102x151 cm. / 90,5x40,2x59,4 in. |